

STEP-DOWN TRANSFORMER 200W

USER MANUAL

RETAIN THIS MANUAL FOR FUTURE REFERENCE

PLEASE READ THIS MANUAL CAREFULLY BEFORE USE

TABLE OF CONTENTS

Safety.....	1
Included Items.....	2
Operation.....	2
Troubleshooting.....	2

STEP-DOWN TRANSFORMER

SAFETY

Read the manual carefully before using the unit. As with most electrical appliances, electrical parts are electrically live even when the switch is off. To reduce the risk of injury or death by electric shock:

- PLEASE DO NOT USE A DEVICE THAT DRAWS MORE THAN 1.8AMPS. ANYTHING MORE WILL OVERLOAD THE CIRCUIT.
- Step up and down transformer unit should be placed in a dry and well ventilated area at all times. KEEP THIS APPLIANCE AWAY FROM WATER.
 - Do not immerse the unit in water or other liquid.
 - Do not use while bathing.
 - Do not place or store where it can fall or be pulled into a bathtub or sink. If the appliance falls into water, UNPLUG IT IMMEDIATELY. DO NOT REACH INTO THE WATER TO RETRIEVE IT WHILE IT IS STILL PLUGGED IN. DO NOT USE THE UNIT IF IT HAS BEEN IMMERSSED IN WATER.
- Always unplug the transformer immediately after use. Never yank the cord to disconnect from the outlet; instead, hold the plug and pull to disconnect.

WARNING – To reduce the risk of burns, electrocution, fire, or injury:

- Do not leave unattended when connected to electrical outlet.
- Close supervision is necessary when any appliance is used by or near children or handicapped.
- Use the transformer for its intended use only as described in this manual. Never use any attachments with this unit that were not made specifically for use with this product.
- Never operate appliance with a damaged cord or plug, or if the unit has been dropped or damaged. To avoid the risk of electrical shock, do not disassemble the transformer. No user-serviceable parts are contained. Instead, contact us for unit to be inspected. Incorrect reassembly can cause risk of electrical shock when the transformer is used.
- Do not allow cord to touch hot surfaces. Let transformer cool completely before putting away. Burns can occur while touching hot parts.
- Never drop or insert any other object into the transformer or any other openings.
- Do not use outdoors or operate where aerosol products are being used, where oxygen is being administered, or in the presence of explosives and/or flammable fumes.
- This appliance is intended for household and travel use only; it is not intended for commercial and industrial use.
- This transformer is intended for use with single phase alternating current (A.C.). Never plug the unit into a direct current (D.C.) outlet.
- It is recommended to use a transformer that has a rated power capacity of 3 to 5 of the load power because the start-up current of these appliances are very high.
- For capacitive load, just leave enough allowance on the rated power capacity of the unit to avoid overloading.
- Check your appliances for the rated power consumptions to avoid overloading the unit.
- Make sure that appliances are switched OFF before turning on the transformer unit.

STEP-DOWN TRANSFORMER

INCLUDED ITEMS

- 1x 200W stepdown transformer
- 2x 2A / 240VAC fuses



OPERATION

- Place the transformer on a firm, flat surface.
- Be sure the ON/OFF power switch is in the "OFF" position before plugging (or unplugging) the power cord into a 110-120VAC or 220-240VAC power source. NOTE: In some countries a Voltage Valet Grounded Adaptor Plug will be needed to connect to 220-240 VAC power sources (see grounded adaptor plug list).
- Step down mode: Set the INPUT VOLTAGE SELECTOR switch to 240VAC for use with 110-120VAC appliances in countries with 220-240VAC power sources. Be sure your appliance's ON/OFF switch is in the "OFF" position and fully insert your 110-120VAC appliance plug into the 120VAC receptacle.
- Turn the transformer's ON/OFF power switch to the "ON" position. You are ready to use your appliance. NOTE: Due to the constant reversing of the AC current flowing through it, this transformer may produce an audible hum when turned on. This is normal and will not harm the transformer or any appliance plugged into it.

TROUBLESHOOTING

1. No power at all / Switch not turning on:

Check the fuse at the back. Unscrew the "fuse" cap and check condition. Fig 1 is an example of a badly blown fuse, however, Fig 2 is a clearer example of a standard blown fuse (notice the thin wire is broken).

Please replace with a 2A / 240V AC rated fuse (2 are provided with the unit)



Fig 1

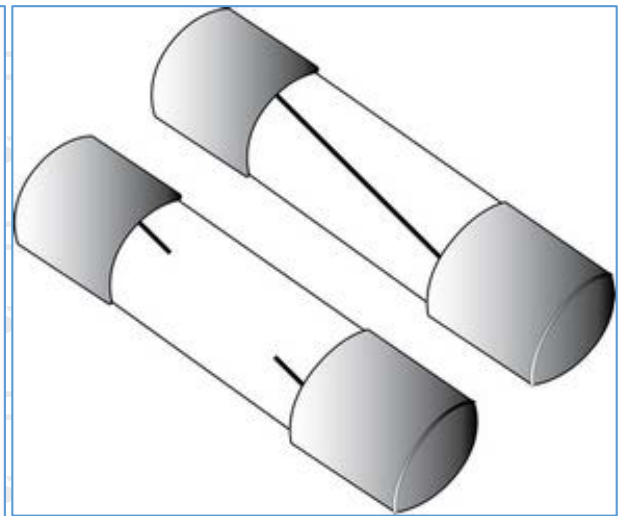


Fig 2

TECHNICAL SPECIFICATION

SKU	TNFSTDGPRA2C0
Max watts	200W
Frequency	50/60 Hz (dual compatibility)
Input voltage	AC 200-240V
Output voltage	AC 100V-120V
Product weight	1.8 kg
Product dimension	11.5 cm x 14 cm x 9.7 cm



Some experts believe the incorrect or prolonged use of almost any product could cause serious injury or death. For information that may reduce your risk of serious injury or death consult the points below and additionally, the information available at www.datastreamserver.com/safety

- Consult all documentation, packaging and product labelling before use. Note that some products feature online documentation which should be printed and kept with the product.
- Check product for loose / broken / damaged / missing parts, wear or leaks (if applicable) before each use. Never use a product with loose / broken / damaged / missing parts, wear or leaks (if applicable).
- Products must be inspected and serviced (if applicable) by a qualified specialist every 6 months assuming average residential use by a person of average weight and strength, above average technical aptitude, on a property matching average metropolitan specification. Intended use outside these guidelines could indicate the product is not suitable for intended use or may require more regular inspection or servicing.
- Ensure all possible users of the product have completed an industry recognised training course before being given access to the product.

- The product has been supplied by a general merchandise retailer that may not be familiar with your specific application or your description of the application. Be sure to attain third party approval for your application from a qualified specialist before use regardless of prior assurances by the retailer or its representatives.
- This product is not intended for use where fail-safe operation is required. As with any product (take an automobile, aircraft, computer or ball point pen for example) there is always a small chance of a technical issue that needs to be repaired or may require replacement of the product or a part. If the possibility of such failure and the associated time it takes to rectify could in any situation inconvenience the user, business or employee or could financially affect the user, business or employee then the product is not suitable for your requirements. This product is not for use where incorrect operation or a failure of any kind, including but not limited to a condition requiring product return, replacement, service by a technician or replacement of parts could cause a financial loss, loss of employee time or an inconvenience requiring compensation.
- If this item has been purchased in error considering the points above simply contact the retailer directly for details of their returns policies if required.