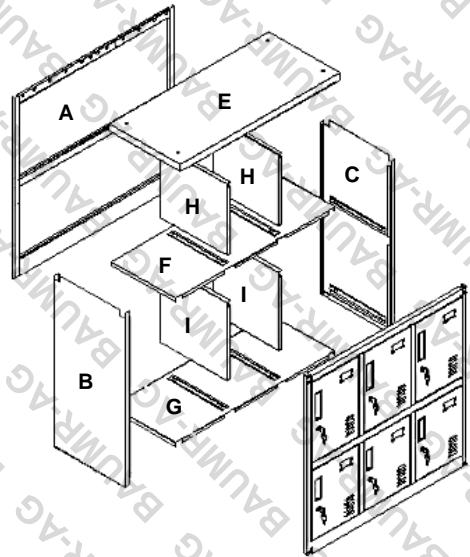


# Locker Assembly Guide

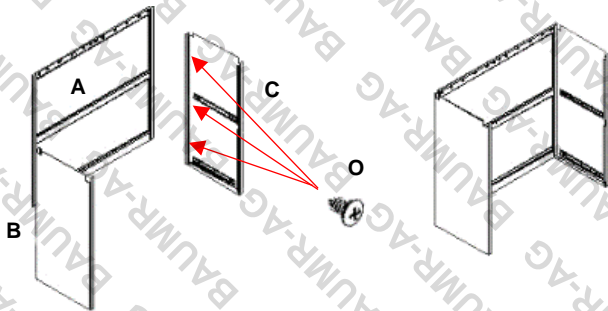
[Rev. 1 Oct 2017]



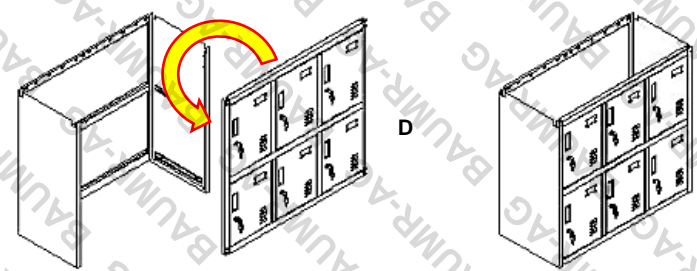
It is recommended to attach the rear panels to a suitable wall or other immovable object to prevent possible toppling of the unit. Drill holes in the rear panels **A** and **J** and use suitable fasteners or brackets (not supplied) to attach the panels securely to the wall. If you are unsure how to do this, consult a qualified technician or tradesman.



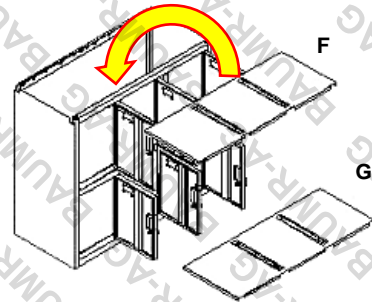
1. Attach side panels **B** and **C** to rear panel **A** using 6 screws **O**. Note that the top of the rear panel has holes along the rail.



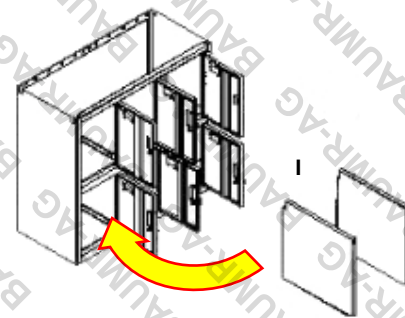
2. Bring door panel **D** from the inside of the assembled side panels and pull it forward so the left/right side rails enter the front channels in the side panels. The basic cabinet is now formed.



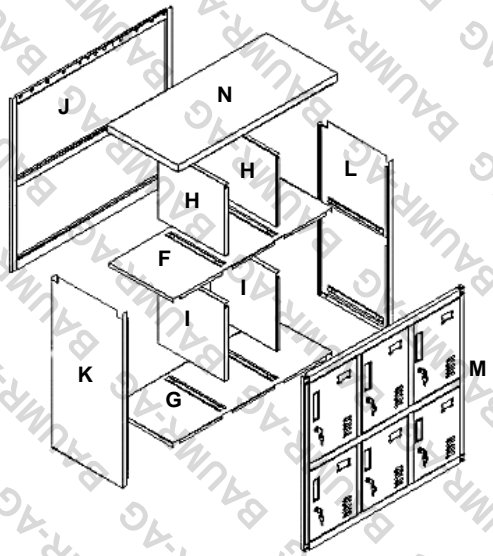
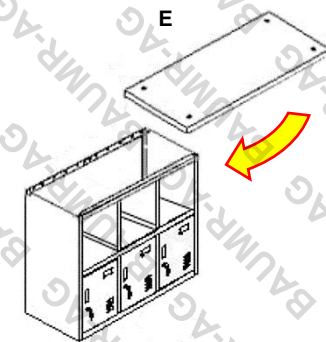
3. Lower bottom panel **G** into the cabinet and push down so the left / right edges "clip" to the side panels and front/rear edges are supported by the rear / door panels. Perform the same process for middle panel **F**.



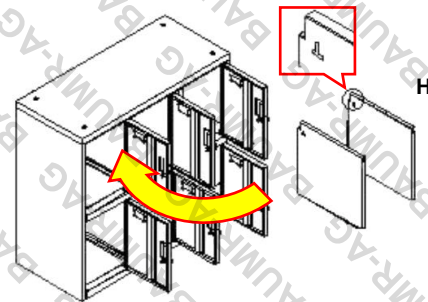
4. Insert the lower separator panels **I** into the cabinet between the bottom and middle panels and push sideways so the top / bottom edges "clip" to the bottom / middle panels.



5. Remove the 3 upper doors from the door panel (pull down the upper door hinge to remove). Hook the front edge of the top panel **E** over the top-front rail of the door panel, then push down so the rear / side edges "clip" to the rear / side panels.



6. Insert the upper separator panels **H** into the cabinet, "T" side up, between the middle and top panels and push sideways so the top / bottom edges "clip" to the middle / top panels. Once installed, re-install the upper doors.



7. Insert the 4 pads **P** into the holes on the upper panel.

8. Repeat steps 1 to 6 for parts **J, K, L, M, N** and the remaining parts **F, G, H, I** and **O** to assemble the upper cabinet.

Place the upper cabinet on top of the lower cabinet (if required), so the pads prevent it from being pushed off, then secure both cabinets to the wall or other suitable structure (fasteners and / or brackets not supplied).

